

KE Sink Gun Metal 30" x 18" – U/M



Kitchen Sinks

Code: 2157 866

PVD Gun Metal
AISI 304 Stainless steel
Foster brushed
Undermount



DETAILS

Series	KE
Coloring	Gun Metal
Finish	PVD
Material	AISI 304 stainless steel
Texture	Foster brushed
Edge/Installation Type	Undermount
Thickness	18 Gauge (1.2 mm)
Overall dimensions	29 1/2" x 17 5/16"

Bowl dimension 1 bowl 27 ¹⁵/₁₆" x 15 ³/₄"

Bowls depth 8"

Cut out 27 ¹⁵/₁₆" x 15 ³/₄"

Waste fitting type 3 ¹/₂" - with stainless steel basket

Underside Protected with heavy duty undercoating

Fixing system Undermount fixing kit (brass insert and clips)

FEATURES

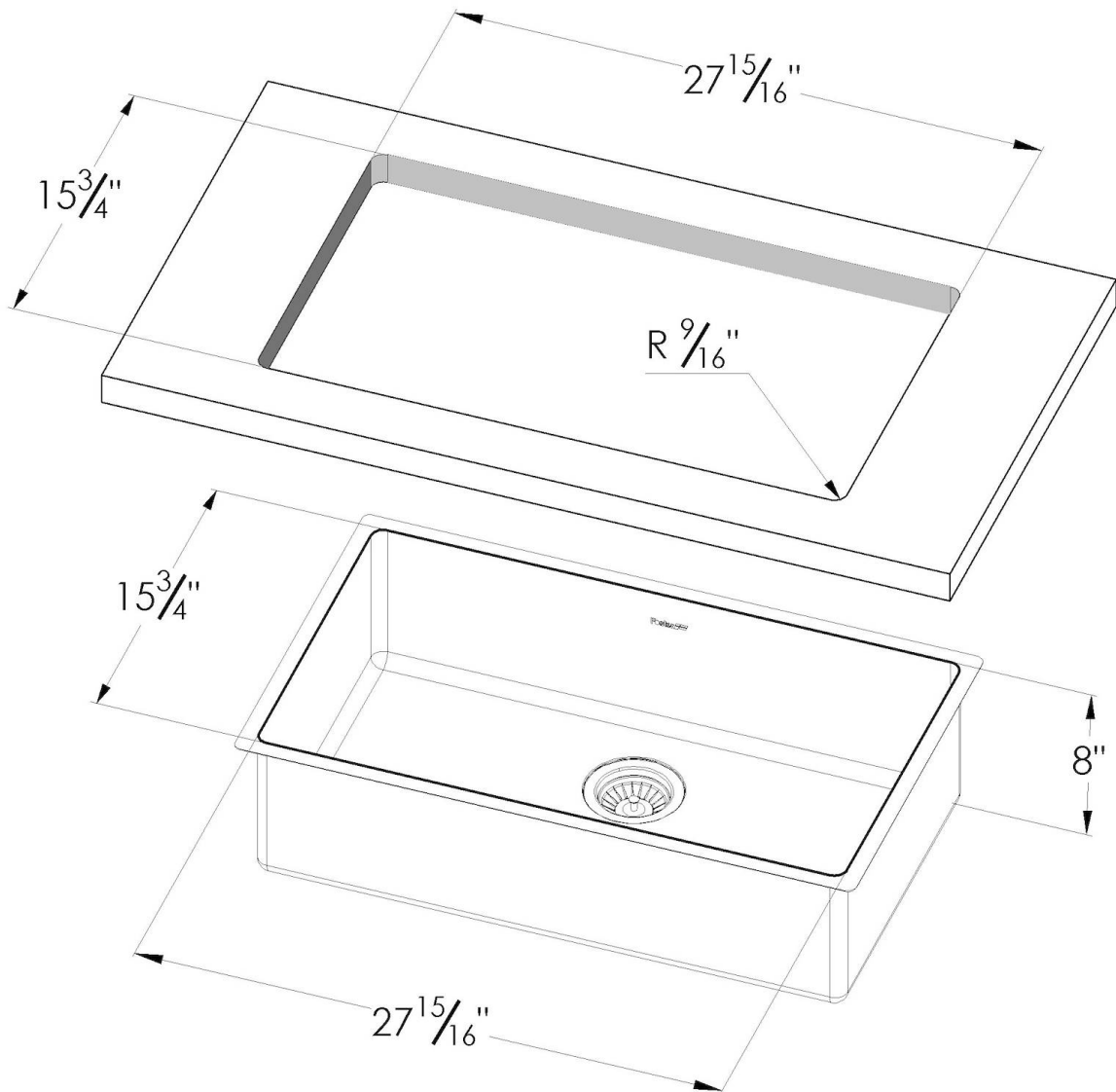
GUN METAL The Gun Metal finish is obtained by treating steel with a physical process called PVD (Physical Vacuum Deposition) which deposits particles of noble metals on the surface. The result is a unique and refined aesthetic effect, and an improvement of the mechanical properties of the steel which is more resistant to impact and scratches.

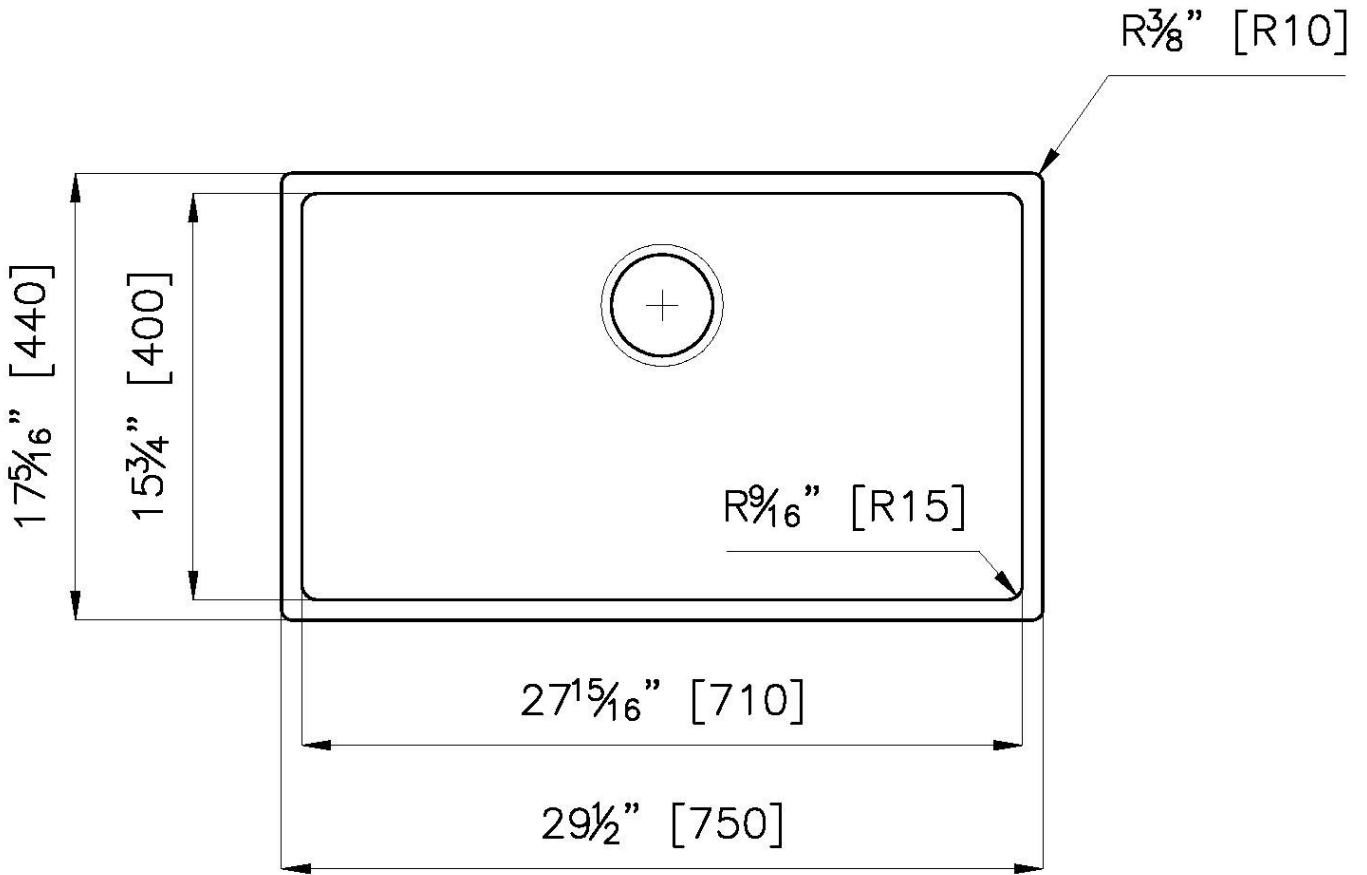
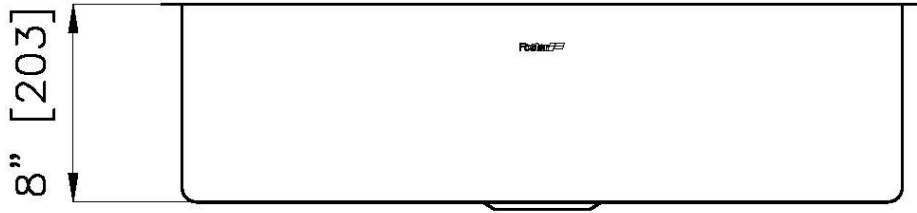
Basket 3,5" waste fitting The drain is equipped with a large 3.5" drain, with the practical basket cap that prevents the discharge of solid parts.

High thickness 1.2 1.2 mm thick steel. A significant thickness, which guarantees the maximum sturdiness and durability.

Small radius Bowls with squared shapes with a modern design and an increased capacity, for a minimal aesthetics connected with an extreme practicality.

TECHNICAL DATA





GALLERY



OPTIONAL ACCESSORIES



Chopping Board
8631 300



Grating kit complete with ring support and food collection tray
8159 101
* only in combination with the accessory
8644 101



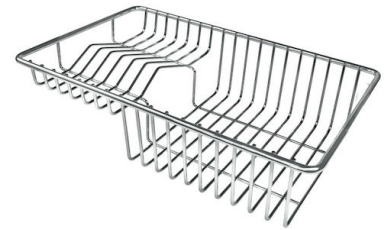
HPDE Chopping board
8657 001



HPDE Chopping board GREY
8657 002



Iroko-wood sliding chopping board with stainless steel colander
8644 044



Stainless Steel dishes holder
8100 303
* only in combination with the accessory
8644 101



Stainless steel perforated pan
8151 000
* only in combination with the accessory
8644 101



Twin Chopping Board
8644 101



White bowl
8153 100



**Waste disposer throat PVD Gun
Metal**

8669 046



**PVD Gun Metal automatic kit for
waste-fitting**

8407 136

RECOMMENDED PAIRINGS



Faucet Capri Gun Metal

8467 605



**Milano Cooktop Gun Metal 4
burners inLine**

7640 906